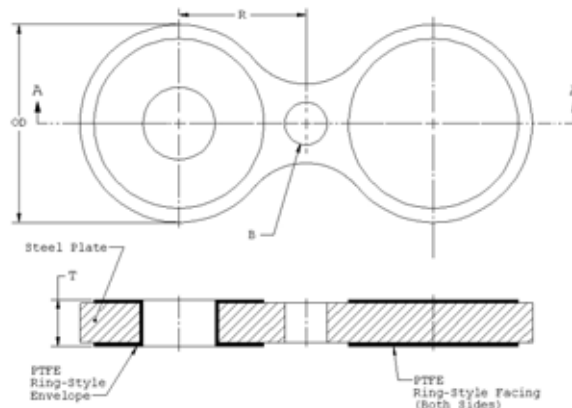


Spectacle Line-Blinds

PTFE Lined Steel

Solid PTFE • PVDF • Polypropylene • CPVC

PTFE Lined Steel



Standard Units:

- Fit between ANSI Class 150 flanges
- 1/2" through 12" pipe sizes
- Thickness corresponds to ANSI Class 150 flanges
- A516 grade 70 steel
- Ring style construction
- PTFE/steel

Special Units Available:

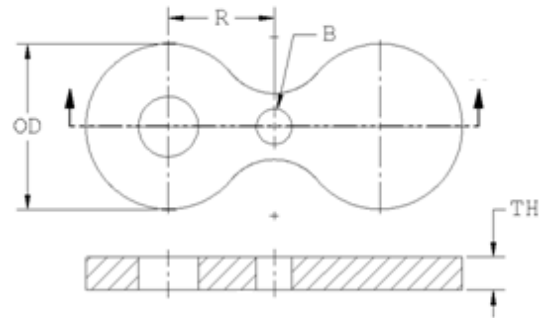
- Fit ANSI Class 300 through Class 2500 flanges, or other special flanges
- Larger sizes
- Thinner or thicker units
- Stainless steel, Monel®, or other metals
- Full face construction

Call today for our
Spectacle Line-Blinds
Sales Bulletin

Standard Dimensions To Fit Between ANSI Class 150 Flanges

Nominal Pipe Size	Part Number	Overall			Bolt Hole	
		Thick. (T)	Dia. (OD)	Steel Plate Thick.	Dia. (B)	Radius (R)
1/2"	SLBS-0.5-0.63	5/8"	1-3/4"	1/2"	5/8"	1-3/16"
3/4"	SLBS-0.75-0.63	5/8"	2-1/8"	1/2"	5/8"	1-3/8"
1"	SLBS-1-0.75	3/4"	2-1/2"	5/8"	5/8"	1-9/16"
1-1/4"	SLBS-1.25-0.75	3/4"	2-7/8"	5/8"	5/8"	1-3/4"
1-1/2"	SLBS-1.5-0.88	7/8"	3-1/4"	3/4"	5/8"	1-15/16"
2"	SLBS-2-0.88	7/8"	4"	3/4"	3/4"	2-3/8"
2-1/2"	SLBS-2.5-1	1"	4-3/4"	7/8"	3/4"	2-3/4"
3"	SLBS-3-1.13	1-1/8"	5-1/4"	1"	3/4"	3"
4"	SLBS-4-1.13	1-1/8"	6-3/4"	1"	3/4"	3-3/4"
5"	SLBS-5-1.13	1-1/8"	7-5/8"	1"	7/8"	4-1/4"
6"	SLBS-6-1.13	1-1/8"	8-5/8"	1"	7/8"	4-3/4"
8"	SLBS-8-1.25	1-1/4"	10-7/8"	1-1/8"	7/8"	5-7/8"
10"	SLBS-10-1.38	1-3/8"	13-1/4"	1-1/4"	1"	7-1/8"
12"	SLBS-12-1.38	1-3/8"	16"	1-1/4"	1"	8-1/2"

Solid PTFE • PVDF • Polypropylene • CPVC



Standard Units:

- Fit between ANSI Class 150 flanges
- 1/2" through 12" pipe sizes
- Thickness corresponds to ANSI Class 150 flanges
- Ring style construction
- Solid Plastic; PTFE, PVDF, PPL, CPVC

Special Units Available:

- Fit ANSI Class 300 through Class 2500 flanges, or other special flanges
- Larger sizes
- Thinner or thicker units
- Full face construction

Other materials on request

Standard Dimensions To Fit Between ANSI Class 150 Flanges							
Nominal Pipe Size	PTFE Part Number	PVDF (Kynar®) Part Number	Polypropylene Part Number	CPVC Part Number	Overall Bolt Hole		
					Dia. (OD)	Dia. (B)	Radius (R)
1/2"	SLBT-0.5-TH	SLBK-0.5-TH	SLBP-0.5-TH	SLBC-0.5-TH	1-3/4"	5/8"	1-13/16"
3/4"	SLBT-0.75-TH	SLBK-0.75-TH	SLBP-0.75-TH	SLBC-0.75-TH	2-1/8"	5/8"	1-3/8"
1"	SLBT-1-TH	SLBK-1-TH	SLBP-1-TH	SLBC-1-TH	2-1/2"	5/8"	1-9/16"
1-1/2"	SLBT-1.5-TH	SLBK-1.5-TH	SLBP-1.5-TH	SLBC-1.5-TH	3-1/4"	5/8"	1-15/16"
2"	SLBT-2-TH	SLBK-2-TH	SLBP-2-TH	SLBC-2-TH	4"	3/4"	2-3/8"
2-1/2"	SLBT-2.5-TH	SLBK-2.5-TH	SLBP-2.5-TH	SLBC-2.5-TH	4-3/4"	3/4"	2-3/4"
3"	SLBT-3-TH	SLBK-3-TH	SLBP-3-TH	SLBC-3-TH	5-1/4"	3/4"	3"
4"	SLBT-4-TH	SLBK-4-TH	SLBP-4-TH	SLBC-4-TH	6-3/4"	3/4"	3-3/4"
6"	SLBT-6-TH	SLBK-6-TH	SLBP-6-TH	SLBC-6-TH	8-5/8"	7/8"	4-3/4"
8"	SLBT-8-TH	SLBK-8-TH	SLBP-8-TH	SLBC-8-TH	10-7/8"	7/8"	5-7/8"
10"	SLBT-10-TH	SLBK-10-TH	SLBP-10-TH	SLBC-10-TH	13-1/4"	1"	7-1/8"
12"	SLBT-12-TH	SLBK-12-TH	SLBP-12-TH	SLBC-12-TH	16"	1"	8-1/2"
14"	SLBT-14-TH	SLBK-14-TH	SLBP-14-TH	SLBC-14-TH	17"	1-1/8"	9-3/8"
16"	SLBT-16-TH	SLBK-16-TH	SLBP-16-TH	SLBC-16-TH	19"	1-1/8"	10-5/8"

Call today for our
Spectacle Line-Blinds
Sales Bulletin

