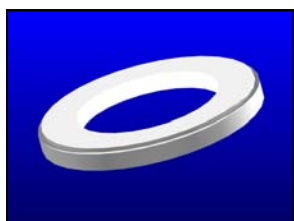


FLUOR-O-FLO® Spacers & Flanges

PTFE • PVDF • also PPL • CPVC



Call today for our
Spacers & Flanges Sales Bulletin

CONTENTS

PAGE

Basic Spacers & Flanges

- Standard Ring Spacers - SR Series 2
- Standard Full-Face Flanges - SF Series 3

Specialty Spacers & Flanges

- Reducing Ring Spacers - SRR Series 4
- Reducing Full-Face Flanges - SRF Series 5
- Blind Ring Spacers - SBR Series 6
- Blind Full-Face Flanges - SBF Series 7
- Orifice Ring Spacers - SOR Series 8
- Orifice Full-Face Flanges - SOF Series 9
- Conical-Bore Ring Spacers - SCR Series 10
- Conical-Bore Full-Face Flanges - SCF Series 11
- Tapered Ring Spacers - STR Series 12
- Tapered Full-Face Flanges - STF Series 13
- Armored Ring Spacers - SAR Series 14
- Armored Full-Face Flanges - SAF Series 15
- FF Series Filler Flanges /Compensation Rings 16

ISO Metric Spacers & Flanges

- ISO Metric Ring Spacers - SMR Series 17
- ISO Metric Full-Face Flanges - SMF Series 18

Line-Blinds

- Spectacle Line-Blinds - SLB Series 19

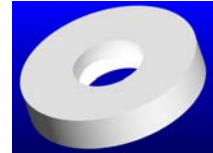
Dimensions of Basic Spacers & Flanges

- Size Table 20

All sales are subject to separately published Terms and Conditions of Sale.



SR Series Ring Spacers



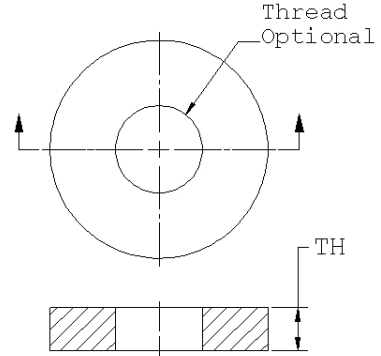
Standard Class 150 (150 lb.) Ring Spacers

BASE PART NUMBER: As shown below, the BASE PART NUMBER defines the Series (two characters), the material (one character), the nominal size, and the thickness **TH**. Use a decimal number to indicate the nominal size. Then, for thicknesses up to 6", replace the **TH** with the decimal thickness. For thickness over 6", contact factory. Note that the **Class** (or **lb.**) designation does not imply a pressure rating. For example, a 3/4" Class 150 PTFE Ring Spacer x 1" thick would be **SRT-0.75-1**

Options

NPT THREADING: For NPT threaded spacers, add to the BASE PART NUMBER the suffix **NPT**. For example, a 2" Class 150 PTFE threaded Ring Spacer x 1-1/2" thick would be **SRT-2-1.5-NPT**. See table below for minimum thickness required for the threads.

CLASS 300 (300 lb.) SPACERS: For Class 300 spacers, add to the BASE PART NUMBER the suffix **300**. For other classes, contact the factory. For example, a 2" Class 300 PTFE threaded Ring Spacer x 1-1/2" thick would be **SRT-2-1.5-NPT-300**



For dimensions, see the **SIZE TABLE** on page 20.

Product Specifications 7.1-2

Part Number Key				Option
Series	Material	Nominal Size	Thickness	Class
SR	T = PTFE, K = PVDF, P = PPL, C = CPVC	0.5 - 24 Decimal Inches	Decimal Inches	300

BASE PART NUMBERS

Nominal Size	PTFE	PVDF	PPL	CPVC
1/2"	SRT-0.5-TH	SRK-0.5-TH	SRP-0.5-TH	SRC-0.5-TH
3/4"	SRT-0.75-TH	SRK-0.75-TH	SRP-0.75-TH	SRC-0.75-TH
1"	SRT-1-TH	SRK-1-TH	SRP-1-TH	SRC-1-TH
1-1/2"	SRT-1.5-TH	SRK-1.5-TH	SRP-1.5-TH	SRC-1.5-TH
2"	SRT-2-TH	SRK-2-TH	SRP-2-TH	SRC-2-TH
2-1/2"	SRT-2.5-TH	SRK-2.5-TH	SRP-2.5-TH	SRC-2.5-TH
3"	SRT-3-TH	SRK-3-TH	SRP-3-TH	SRC-3-TH
4"	SRT-4-TH	SRK-4-TH	SRP-4-TH	SRC-4-TH
6"	SRT-6-TH	SRK-6-TH	SRP-6-TH	SRC-6-TH
8"	SRT-8-TH	SRK-8-TH	SRP-8-TH	SRC-8-TH
10"	SRT-10-TH	SRK-10-TH	SRP-10-TH	SRC-10-TH
12"	SRT-12-TH	SRK-12-TH	SRP-12-TH	SRC-12-TH
14"	SRT-14-TH	SRK-14-TH	SRP-14-TH	SRC-14-TH
16"	SRT-16-TH	SRK-16-TH	SRP-16-TH	SRC-16-TH
18"	SRT-18-TH	SRK-18-TH	SRP-18-TH	SRC-18-TH
20"	SRT-20-TH	SRK-20-TH	SRP-20-TH	SRC-20-TH
24"	SRT-24-TH	SRK-24-TH	SRP-24-TH	SRC-24-TH

For larger sizes, contact factory

Minimum Thickness for NPT Threads

NPT Thread	Minimum Thickness
1/8"	1/2"
1/4"	3/4"
3/8"	3/4"
1/2"	1"
3/4"	1"
1"	1"
1-1/4"	1"
1-1/2"	1-1/2"
2"	1-1/2"
2-1/2"	2"
3"	2"
4"	2"
6"	2"
8"	2-1/2"
10"	2-1/2"
12"	2-1/2"



SF Series Full-Face Flanges

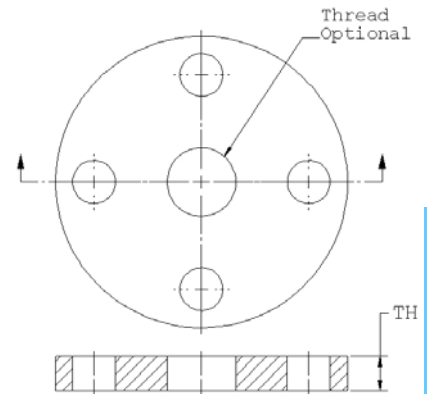
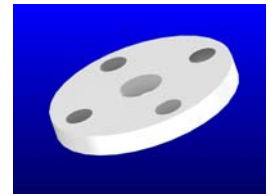
Standard Class 150 (150 lb.) Full-Face Flanges

BASE PART NUMBER: As shown below, the BASE PART NUMBER defines the Series (two characters), the material (one character), the nominal size, and the thickness **TH**. Use a decimal number to indicate the nominal size. Then, for thicknesses up to 6", replace the **TH** with the decimal thickness. For thickness over 6", contact factory. Note that the **Class** (or **lb.**) designation does **not** imply a pressure rating. For example, a 3/4" Class 150 PTFE Full-Face Flange x 1" thick would be **SFT-0.75-1**

Options

NPT THREADING: For NPT threaded flanges, add to the BASE PART NUMBER the suffix **NPT**. For example, a 2" Class 150 PTFE threaded Full-Face Flange x 1-1/2" thick would be **SFT-2-1.5-NPT**
See table below for minimum thickness required for the threads.

CLASS 300 (300 lb.) FLANGES: For Class 300 flanges, add to the BASE PART NUMBER the suffix **300**. For other classes, contact the factory. For example, a 2" Class 300 PTFE threaded Full-Face Flange x 1-1/2" thick would be **SFT-2-1.5-NPT-300**



Part Number Key				Option
Series	Material	Nominal Size	Thickness	Class
SF	T = PTFE, K = PVDF, P = PPL, C = CPVC	0.5 - 24 Decimal Inches	Decimal Inches	300

For dimensions, see the **SIZE TABLE** on page 20.

BASE PART NUMBERS

Nominal Size	PTFE	PVDF	PPL	CPVC
1/2"	SFT-0.5-TH	SFK-0.5-TH	SFP-0.5-TH	SFC-0.5-TH
3/4"	SFT-0.75-TH	SFK-0.75-TH	SFP-0.75-TH	SFC-0.75-TH
1"	SFT-1-TH	SFK-1-TH	SFP-1-TH	SFC-1-TH
1-1/2"	SFT-1.5-TH	SFK-1.5-TH	SFP-1.5-TH	SFC-1.5-TH
2"	SFT-2-TH	SFK-2-TH	SFP-2-TH	SFC-2-TH
2-1/2"	SFT-2.5-TH	SFK-2.5-TH	SFP-2.5-TH	SFC-2.5-TH
3"	SFT-3-TH	SFK-3-TH	SFP-3-TH	SFC-3-TH
4"	SFT-4-TH	SFK-4-TH	SFP-4-TH	SFC-4-TH
6"	SFT-6-TH	SFK-6-TH	SFP-6-TH	SFC-6-TH
8"	SFT-8-TH	SFK-8-TH	SFP-8-TH	SFC-8-TH
10"	SFT-10-TH	SFK-10-TH	SFP-10-TH	SFC-10-TH
12"	SFT-12-TH	SFK-12-TH	SFP-12-TH	SFC-12-TH
14"	SFT-14-TH	SFK-14-TH	SFP-14-TH	SFC-14-TH
16"	SFT-16-TH	SFK-16-TH	SFP-16-TH	SFC-16-TH
18"	SFT-18-TH	SFK-18-TH	SFP-18-TH	SFC-18-TH
20"	SFT-20-TH	SFK-20-TH	SFP-20-TH	SFC-20-TH
24"	SFT-24-TH	SFK-24-TH	SFP-24-TH	SFC-24-TH

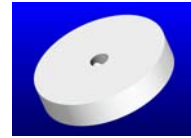
For larger sizes, contact factory

Minimum Thickness for NPT Threads

NPT Thread	Minimum Thickness
1/8"	1/2"
1/4"	5/8"
3/8"	3/4"
1/2"	7/8"
3/4"	1"
1"	1-1/8"
1-1/2"	1-1/8"
2"	1-1/4"
2-1/2"	1-3/4"
3"	1-3/4"
4"	1-7/8"
6"	2-1/8"
8"	2-1/2"
10"	2-1/2"
12"	2-1/2"



SRR Series Reducing Ring Spacers



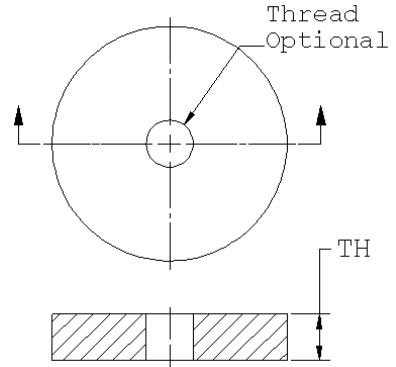
Standard Class 150 (150 lb.) Reducing Ring Spacers

BASE PART NUMBER: As shown below, the BASE PART NUMBER defines the Series (three characters), the material (one character), the nominal size, the reduced center hole pipe size **RR** and the thickness **TH**. Use a decimal number to indicate the nominal size. Replace **RR** in the part number with the reduction pipe size in decimals. Then, for thicknesses up to 6", replace the **TH** with the decimal thickness. For thickness over 6", contact factory. Note that the **Class** (or **lb.**) designation does not imply a pressure rating. For example, a 3/4" x 1/2" Class 150 PTFE Reducing Ring Spacer x 1" thick would be **SRRT-0.75-0.5-1**

Options

NPT THREADING: For NPT threaded spacers, add to the BASE PART NUMBER the suffix **NPT**. For example, a 2" x 3/4" Class 150 PTFE threaded Reducing Ring Spacer x 1-1/2" thick would be **SRRT-2-0.75-1.5-NPT** See table below for minimum thickness required for the threads.

CLASS 300 (300 lb.) SPACERS: For Class 300 spacers, add to the BASE PART NUMBER the suffix **300**. For other classes, contact the factory. For example, a 2" x 1" Class 300 PTFE threaded Reducing Ring Spacer x 1-1/2" thick would be **SRRT-2-1-1.5-NPT-300**



For dimensions, see the **SIZE TABLE** on page 20.

Product Specifications 7.1-2

Part Number Key					Option
Series	Material	Nominal Size	RR	Thickness	Class
SRR	T = PTFE, K = PVDF, P = PPL, C = CPVC	0.5 - 24 Decimal Inches	0.5 - 24 Decimal Inches	Decimal Inches	300

BASE PART NUMBERS

Nominal Size	PTFE	PVDF	PPL	CPVC
1/2"	NA	NA	NA	NA
3/4"	SRRT-0.75-RR-TH	SRRK-0.75-RR-TH	SRRP-0.75-RR-TH	SRRC-0.75-RR-TH
1"	SRRT-1-RR-TH	SRRK-1-RR-TH	SRRP-1-RR-TH	SRRC-1-RR-TH
1-1/2"	SRRT-1.5-RR-TH	SRRK-1.5-RR-TH	SRRP-1.5-RR-TH	SRRC-1.5-RR-TH
2"	SRRT-2-RR-TH	SRRK-2-RR-TH	SRRP-2-RR-TH	SRRC-2-RR-TH
2-1/2"	SRRT-2.5-RR-TH	SRRK-2.5-RR-TH	SRRP-2.5-RR-TH	SRRC-2.5-RR-TH
3"	SRRT-3-RR-TH	SRRK-3-RR-TH	SRRP-3-RR-TH	SRRC-3-RR-TH
4"	SRRT-4-RR-TH	SRRK-4-RR-TH	SRRP-4-RR-TH	SRRC-4-RR-TH
6"	SRRT-6-RR-TH	SRRK-6-RR-TH	SRRP-6-RR-TH	SRRC-6-RR-TH
8"	SRRT-8-RR-TH	SRRK-8-RR-TH	SRRP-8-RR-TH	SRRC-8-RR-TH
10"	SRRT-10-RR-TH	SRRK-10-RR-TH	SRRP-10-RR-TH	SRRC-10-RR-TH
12"	SRRT-12-RR-TH	SRRK-12-RR-TH	SRRP-12-RR-TH	SRRC-12-RR-TH
14"	SRRT-14-RR-TH	SRRK-14-RR-TH	SRRP-14-RR-TH	SRRC-14-RR-TH
16"	SRRT-16-RR-TH	SRRK-16-RR-TH	SRRP-16-RR-TH	SRRC-16-RR-TH
18"	SRRT-18-RR-TH	SRRK-18-RR-TH	SRRP-18-RR-TH	SRRC-18-RR-TH
20"	SRRT-20-RR-TH	SRRK-20-RR-TH	SRRP-20-RR-TH	SRRC-20-RR-TH
24"	SRRT-24-RR-TH	SRRK-24-RR-TH	SRRP-24-RR-TH	SRRC-24-RR-TH

For larger sizes, contact factory

Minimum Thickness for NPT Threads

NPT Thread	Minimum Thickness
1/8"	1/2"
1/4"	5/8"
3/8"	3/4"
1/2"	7/8"
3/4"	1"
1"	1-1/8"
1-1/2"	1-1/8"
2"	1-1/4"
2-1/2"	1-3/4"
3"	1-3/4"
4"	1-7/8"
6"	2-1/8"
8"	2-1/2"
10"	2-1/2"
12"	2-1/2"



SRF Series Reducing Full-Face Flanges



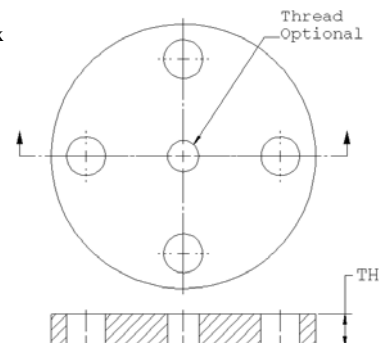
Standard Class 150 (150 lb.) Reducing Full-Face Flanges

BASE PART NUMBER: As shown below, the BASE PART NUMBER defines the Series (three characters), the material (one character), the nominal size, the reduced center hole pipe size **RR** and the thickness **TH**. Use a decimal number to indicate the nominal size. Replace **RR** in the part number with the reduction pipe size in decimals. Then, for thicknesses up to 6", replace the **TH** with the decimal thickness. For thickness over 6", contact factory. Note that the **Class** (or **lb.**) designation does not imply a pressure rating. For example, a 3/4" x 1/2" Class 150 PTFE Reducing Full-Face Flange x 1" thick would be **SRFT-0.75-0.5-1**

Options

NPT THREADING: For NPT threaded flanges, add to the BASE PART NUMBER the suffix **NPT**. For example, a 2" x 3/4" Class 150 PTFE threaded Reducing Full-Face Flange x 1-1/2" thick would be **SRFT-2-0.75-1.5-NPT**. See table below for minimum thickness required for the threads.

CLASS 300 (300 lb.) FLANGES: For Class 300 flanges, add to the BASE PART NUMBER the suffix **300**. For other classes, contact the factory. For example, a 2" x 1" Class 300 PTFE threaded Reducing Full-Face Flange x 1-1/2" thick would be **SRFT-2-1-1.5-NPT-300**



For dimensions, see the **SIZE TABLE** on page 20.

Part Number Key					Option
Series	Material	Nominal Size	RR	Thickness	Class
SRR	T = PTFE, K = PVDF, P = PPL, C = CPVC	0.5 - 24 Decimal Inches	0.5 - 24 Decimal Inches	Decimal Inches	300

BASE PART NUMBERS

Nominal Size	PTFE	PVDF	PPL	CPVC
1/2"	NA	NA	NA	NA
3/4"	SRFT-0.75-RR-TH	SRFK-0.75-RR-TH	SRFP-0.75-RR-TH	SRFC-0.75-RR-TH
1"	SRFT-1-RR-TH	SRFK-1-RR-TH	SRFP-1-RR-TH	SRFC-1-RR-TH
1-1/2"	SRFT-1.5-RR-TH	SRFK-1.5-RR-TH	SRFP-1.5-RR-TH	SRFC-1.5-RR-TH
2"	SRFT-2-RR-TH	SRFK-2-RR-TH	SRFP-2-RR-TH	SRFC-2-RR-TH
2-1/2"	SRFT-2.5-RR-TH	SRFK-2.5-RR-TH	SRFP-2.5-RR-TH	SRFC-2.5-RR-TH
3"	SRFT-3-RR-TH	SRFK-3-RR-TH	SRFP-3-RR-TH	SRFC-3-RR-TH
4"	SRFT-4-RR-TH	SRFK-4-RR-TH	SRFP-4-RR-TH	SRFC-4-RR-TH
6"	SRFT-6-RR-TH	SRFK-6-RR-TH	SRFP-6-RR-TH	SRFC-6-RR-TH
8"	SRFT-8-RR-TH	SRFK-8-RR-TH	SRFP-8-RR-TH	SRFC-8-RR-TH
10"	SRFT-10-RR-TH	SRFK-10-RR-TH	SRFP-10-RR-TH	SRFC-10-RR-TH
12"	SRFT-12-RR-TH	SRFK-12-RR-TH	SRFP-12-RR-TH	SRFC-12-RR-TH
14"	SRFT-14-RR-TH	SRFK-14-RR-TH	SRFP-14-RR-TH	SRFC-14-RR-TH
16"	SRFT-16-RR-TH	SRFK-16-RR-TH	SRFP-16-RR-TH	SRFC-16-RR-TH
18"	SRFT-18-RR-TH	SRFK-18-RR-TH	SRFP-18-RR-TH	SRFC-18-RR-TH
20"	SRFT-20-RR-TH	SRFK-20-RR-TH	SRFP-20-RR-TH	SRFC-20-RR-TH
24"	SRFT-24-RR-TH	SRFK-24-RR-TH	SRFP-24-RR-TH	SRFC-24-RR-TH

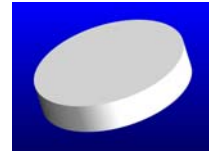
For larger sizes, contact factory

Minimum Thickness for NPT Threads

NPT Thread	Minimum Thickness
1/8"	1/2"
1/4"	5/8"
3/8"	3/4"
1/2"	7/8"
3/4"	1"
1"	1-1/8"
1-1/2"	1-1/8"
2"	1-1/4"
2-1/2"	1-3/4"
3"	1-3/4"
4"	1-7/8"
6"	2-1/8"
8"	2-1/2"
10"	2-1/2"
12"	2-1/2"



SBR Series Blind Ring Spacers

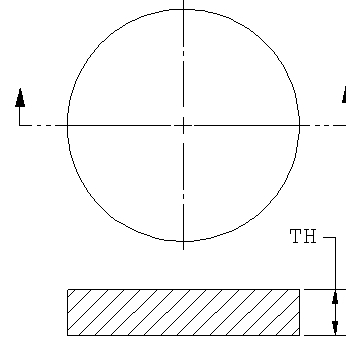


Standard Class 150 (150 lb.) Blind Ring Spacers

BASE PART NUMBER: As shown below, the BASE PART NUMBER defines the Series (three characters), the material (one character), the nominal size, and the thickness **TH**. Use a decimal number to indicate the nominal size. Then, for thicknesses up to 6", replace the **TH** with the decimal thickness. For thickness over 6", contact factory. Note that the **Class (or lb.)** designation does not imply a pressure rating. For example, a 3/4" Class 150 PTFE Blind Ring Spacer x 1" thick would be **SBRT-0.75-1**

Options

CLASS 300 (300 lb.) SPACERS: For Class 300 spacers, add to the BASE PART NUMBER the suffix **300**. For other classes, contact the factory. For example, a 2" Class 300 PTFE Blind Ring Spacer x 1-1/2" thick would be **SBRT-2-1.5-300**



For dimensions, see the **SIZE TABLE** on page 20.

Product Specifications 7.1-2

Part Number Key				Option
Series	Material	Nominal Size	Thickness	Class
SBR	T = PTFE, K = PVDF, P = PPL, C = CPVC	0.5 - 24 Decimal Inches	Decimal Inches	300

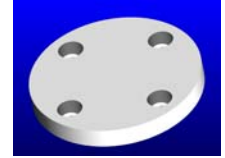
BASE PART NUMBERS

Nominal Size	PTFE	PVDF	PPL	CPVC
1/2"	SBRT-0.5-TH	SBRK-0.5-TH	SBRP-0.5-TH	SBRC-0.5-TH
3/4"	SBRT-0.75-TH	SBRK-0.75-TH	SBRP-0.75-TH	SBRC-0.75-TH
1"	SBRT-1-TH	SBRK-1-TH	SBRP-1-TH	SBRC-1-TH
1-1/2"	SBRT-1.5-TH	SBRK-1.5-TH	SBRP-1.5-TH	SBRC-1.5-TH
2"	SBRT-2-TH	SBRK-2-TH	SBRP-2-TH	SBRC-2-TH
2-1/2"	SBRT-2.5-TH	SBRK-2.5-TH	SBRP-2.5-TH	SBRC-2.5-TH
3"	SBRT-3-TH	SBRK-3-TH	SBRP-3-TH	SBRC-3-TH
4"	SBRT-4-TH	SBRK-4-TH	SBRP-4-TH	SBRC-4-TH
6"	SBRT-6-TH	SBRK-6-TH	SBRP-6-TH	SBRC-6-TH
8"	SBRT-8-TH	SBRK-8-TH	SBRP-8-TH	SBRC-8-TH
10"	SBRT-10-TH	SBRK-10-TH	SBRP-10-TH	SBRC-10-TH
12"	SBRT-12-TH	SBRK-12-TH	SBRP-12-TH	SBRC-12-TH
14"	SBRT-14-TH	SBRK-14-TH	SBRP-14-TH	SBRC-14-TH
16"	SBRT-16-TH	SBRK-16-TH	SBRP-16-TH	SBRC-16-TH
18"	SBRT-18-TH	SBRK-18-TH	SBRP-18-TH	SBRC-18-TH
20"	SBRT-20-TH	SBRK-20-TH	SBRP-20-TH	SBRC-20-TH
24"	SBRT-24-TH	SBRK-24-TH	SBRP-24-TH	SBRC-24-TH

For larger sizes, contact factory



SBF Series Blind Full-Face Flanges



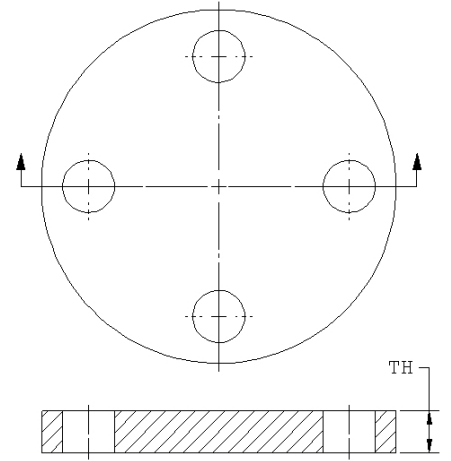
Standard Class 150 (150 lb.) Blind Full-Face Flanges

BASE PART NUMBER: As shown below, the BASE PART NUMBER defines the Series (three characters), the material (one character), the nominal size, and the thickness **TH**. Use a decimal number to indicate the nominal size. Then, for thicknesses up to 6", replace the **TH** with the decimal thickness. For thickness over 6", contact factory. Note that the **Class** (or **lb.**) designation does not imply a pressure rating.

For example, a 3/4" Class 150 PTFE Blind Full-Face Flange x 1" thick would be **SBFT-0.75-1**

Options

CLASS 300 (300 lb.) FLANGES: For Class 300 flanges, add to the BASE PART NUMBER the suffix **300**. For other classes, contact the factory. For example, a 2" Class 300 PTFE Blind Full-Face Flange x 1-1/2" thick would be **SBFT-2-1.5-300**



Part Number Key				Option
Series	Material	Nominal Size	Thickness	Class
SBF	T = PTFE, K = PVDF, P = PPL, C = CPVC	0.5 - 24 Decimal Inches	Decimal Inches	300

For dimensions, see the **SIZE TABLE** on page 20.

BASE PART NUMBERS

Nominal Size	PTFE	PVDF	PPL	CPVC
1/2"	SBFT-0.5-TH	SBFK-0.5-TH	SBFP-0.5-TH	SBFC-0.5-TH
3/4"	SBFT-0.75-TH	SBFK-0.75-TH	SBFP-0.75-TH	SBFC-0.75-TH
1"	SBFT-1-TH	SBFK-1-TH	SBFP-1-TH	SBFC-1-TH
1-1/2"	SBFT-1.5-TH	SBFK-1.5-TH	SBFP-1.5-TH	SBFC-1.5-TH
2"	SBFT-2-TH	SBFK-2-TH	SBFP-2-TH	SBFC-2-TH
2-1/2"	SBFT-2.5-TH	SBFK-2.5-TH	SBFP-2.5-TH	SBFC-2.5-TH
3"	SBFT-3-TH	SBFK-3-TH	SBFP-3-TH	SBFC-3-TH
4"	SBFT-4-TH	SBFK-4-TH	SBFP-4-TH	SBFC-4-TH
6"	SBFT-6-TH	SBFK-6-TH	SBFP-6-TH	SBFC-6-TH
8"	SBFT-8-TH	SBFK-8-TH	SBFP-8-TH	SBFC-8-TH
10"	SBFT-10-TH	SBFK-10-TH	SBFP-10-TH	SBFC-10-TH
12"	SBFT-12-TH	SBFK-12-TH	SBFP-12-TH	SBFC-12-TH
14"	SBFT-14-TH	SBFK-14-TH	SBFP-14-TH	SBFC-14-TH
16"	SBFT-16-TH	SBFK-16-TH	SBFP-16-TH	SBFC-16-TH
18"	SBFT-18-TH	SBFK-18-TH	SBFP-18-TH	SBFC-18-TH
20"	SBFT-20-TH	SBFK-20-TH	SBFP-20-TH	SBFC-20-TH
24"	SBFT-24-TH	SBFK-24-TH	SBFP-24-TH	SBFC-24-TH

For larger sizes, contact factory



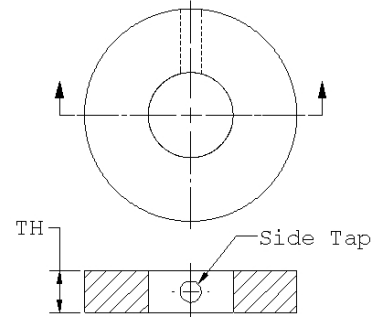
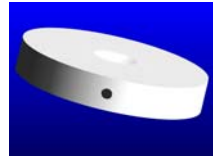
SOR Series Orifice Ring Spacers

Standard Class 150 (150 lb.) Orifice Ring Spacers

BASE PART NUMBER: As shown below, the BASE PART NUMBER defines the Series (three characters), the material (one character), the nominal size, the thickness **TH**, and the side tap size **ST**. Use a decimal number to indicate the nominal size. For thicknesses up to 6", replace the **TH** with the decimal thickness. For thickness over 6", contact factory. Then replace **ST** in the part number with the side tap size in decimals. See **NPT Side Tap Thickness Requirements Table** below for the maximum NPT tap possible for various thicknesses. Note that the **Class** (or **lb.**) designation does **not** imply a pressure rating. For example, a 3/4" Class 150 PTFE Orifice Ring Spacer x 1" thick with a 1/4" side tap would be **SORT-0.75-1-0.25** See table below for minimum thickness required for size tap thread size.

Options

CLASS 300 (300 lb.) SPACERS: For Class 300 spacers, add to the BASE PART NUMBER the suffix **300**. For other classes, contact the factory. For example, a 2" Class 300 PTFE Orifice Ring Spacer x 1-1/2" thick with a 1/2" side tap would be **SORT-2-1.5-0.5-300**



For dimensions, see the **SIZE TABLE** on page 20.

Product Specifications 7.1-2

Part Number Key				Option
Series	Material	Nominal Size	Thickness	Class
SOR	T = PTFE, K = PVDF P = PPL, C = CPVC	0.5 - 24 Decimal Inches	Decimal Inches	300

BASE PART NUMBERS

Nominal Size	PTFE	PVDF	PPL	CPVC
1/2"	NA	NA	NA	NA
3/4"	SORT-0.75-TH-ST	SORK-0.75-TH-ST	SORP-0.75-TH-ST	SORC-0.75-TH-ST
1"	SORT-1-TH-ST	SORK-1-TH-ST	SORP-1-TH-ST	SORC-1-TH-ST
1-1/2"	SORT-1.5-TH-ST	SORK-1.5-TH-ST	SORP-1.5-TH-ST	SORC-1.5-TH-ST
2"	SORT-2-TH-ST	SORK-2-TH-ST	SORP-2-TH-ST	SORC-2-TH-ST
2-1/2"	SORT-2.5-TH-ST	SORK-2.5-TH-ST	SORP-2.5-TH-ST	SORC-2.5-TH-ST
3"	SORT-3-TH-ST	SORK-3-TH-ST	SORP-3-TH-ST	SORC-3-TH-ST
4"	SORT-4-TH-ST	SORK-4-TH-ST	SORP-4-TH-ST	SORC-4-TH-ST
6"	SORT-6-TH-ST	SORK-6-TH-ST	SORP-6-TH-ST	SORC-6-TH-ST
8"	SORT-8-TH-ST	SORK-8-TH-ST	SORP-8-TH-ST	SORC-8-TH-ST
10"	SORT-10-TH-ST	SORK-10-TH-ST	SORP-10-TH-ST	SORC-10-TH-ST
12"	SORT-12-TH-ST	SORK-12-TH-ST	SORP-12-TH-ST	SORC-12-TH-ST
14"	SORT-14-TH-ST	SORK-14-TH-ST	SORP-14-TH-ST	SORC-14-TH-ST
16"	SORT-16-TH-ST	SORK-16-TH-ST	SORP-16-TH-ST	SORC-16-TH-ST
18"	SORT-18-TH-ST	SORK-18-TH-ST	SORP-18-TH-ST	SORC-18-TH-ST
20"	SORT-20-TH-ST	SORK-20-TH-ST	SORP-20-TH-ST	SORC-20-TH-ST
24"	SORT-24-TH-ST	SORK-24-TH-ST	SORP-24-TH-ST	SORC-24-TH-ST

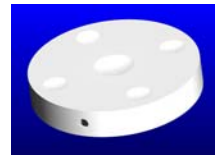
For larger sizes, contact factory

Minimum Thickness For NPT Side Tap

Side Tap	Minimum Thickness
1/8"	1"
1/4"	1"
3/8"	1-1/2"
1/2"	1-1/2"
3/4"	1-1/2"
1"	2"
1-1/4"	2-1/2"
1-1/2"	2-1/2"
2"	3"



SOF Series Orifice Full-Face Flanges

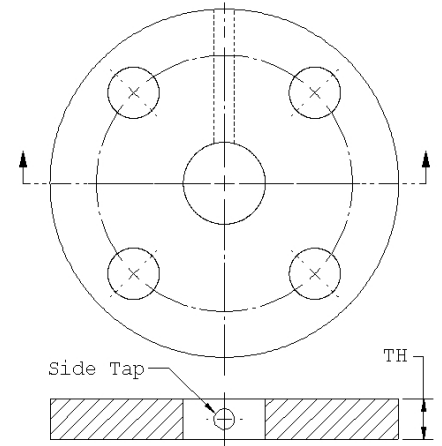


Standard Class 150 (150 lb.) Full-Face Flanges

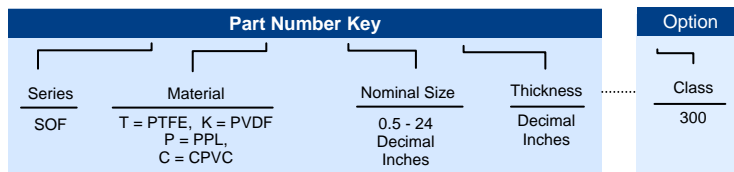
BASE PART NUMBER: As shown below, the BASE PART NUMBER defines the Series (three characters), the material (one character), the nominal size, the thickness **TH**, and the side tap size **ST**. Use a decimal number to indicate the nominal size. For thicknesses up to 6", replace the **TH** with the decimal thickness. For thickness over 6", contact factory. Then replace **ST** in the part number with the side tap size in decimals. Note that the **Class (or lb.)** designation does not imply a pressure rating. For example, a 3/4" Class 150 PTFE Orifice Full-Face Flange x 1" thick with a 1/4" side tap would be **SOFT-0.75-1-0.25**. See table below for minimum thickness required for size tap thread size.

Options

CLASS 300 (300 lb.) SPACERS: For Class 300 spacers, add to the BASE PART NUMBER the suffix **300**. For other classes, contact the factory. For example, a 2" Class 300 PTFE Orifice Full-Face Flange x 1-1/2" thick with a 1/2" side tap would be **SOFT-2-1.5-0.5-300**



For dimensions, see the **SIZE TABLE** on page 20.



BASE PART NUMBERS

Nominal Size	PTFE	PVDF	PPL	CPVC
1/2"	NA	NA	NA	NA
3/4"	SOFT-0.75-TH-ST	SOFK-0.75-TH-ST	SOFP-0.75-TH-ST	SOFC-0.75-TH-ST
1"	SOFT-1-TH-ST	SOFK-1-TH-ST	SOFP-1-TH-ST	SOFC-1-TH-ST
1-1/2"	SOFT-1.5-TH-ST	SOFK-1.5-TH-ST	SOFP-1.5-TH-ST	SOFC-1.5-TH-ST
2"	SOFT-2-TH-ST	SOFK-2-TH-ST	SOFP-2-TH-ST	SOFC-2-TH-ST
2-1/2"	SOFT-2.5-TH-ST	SOFK-2.5-TH-ST	SOFP-2.5-TH-ST	SOFC-2.5-TH-ST
3"	SOFT-3-TH-ST	SOFK-3-TH-ST	SOFP-3-TH-ST	SOFC-3-TH-ST
4"	SOFT-4-TH-ST	SOFK-4-TH-ST	SOFP-4-TH-ST	SOFC-4-TH-ST
6"	SOFT-6-TH-ST	SOFK-6-TH-ST	SOFP-6-TH-ST	SOFC-6-TH-ST
8"	SOFT-8-TH-ST	SOFK-8-TH-ST	SOFP-8-TH-ST	SOFC-8-TH-ST
10"	SOFT-10-TH-ST	SOFK-10-TH-ST	SOFP-10-TH-ST	SOFC-10-TH-ST
12"	SOFT-12-TH-ST	SOFK-12-TH-ST	SOFP-12-TH-ST	SOFC-12-TH-ST
14"	SOFT-14-TH-ST	SOFK-14-TH-ST	SOFP-14-TH-ST	SOFC-14-TH-ST
16"	SOFT-16-TH-ST	SOFK-16-TH-ST	SOFP-16-TH-ST	SOFC-16-TH-ST
18"	SOFT-18-TH-ST	SOFK-18-TH-ST	SOFP-18-TH-ST	SOFC-18-TH-ST
20"	SOFT-20-TH-ST	SOFK-20-TH-ST	SOFP-20-TH-ST	SOFC-20-TH-ST
24"	SOFT-24-TH-ST	SOFK-24-TH-ST	SOFP-24-TH-ST	SOFC-24-TH-ST

For larger sizes, contact factory

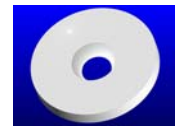
Minimum Thickness For NPT Side Tap

Side Tap	Minimum Thickness
1/8"	1"
1/4"	1"
3/8"	1-1/2"
1/2"	1-1/2"
3/4"	1-1/2"
1"	2"
1-1/4"	2-1/2"
1-1/2"	2-1/2"
2"	3"

Product Specifications 7.1-2



SCR Series Conical-Bore Ring Spacers

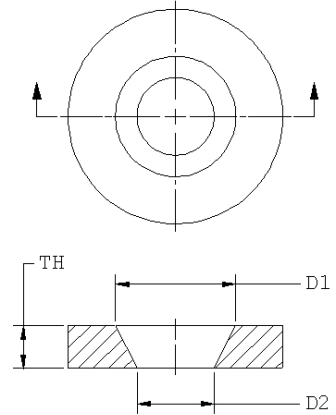


Standard Class 150 (150 lb.) Conical-Bore Ring Spacers

BASE PART NUMBER: As shown below, the BASE PART NUMBER defines the Series (three characters), the material (one character), the nominal size, the thickness **TH**, the major diameter **D1**, and the minor diameter **D2**. Use a decimal number to indicate the nominal size. For thicknesses up to 6", replace the **TH** with the decimal thickness. For thickness over 6", contact factory. Then replace **D1** and **D2** in the part number with the major and minor diameters in decimals. Note that the **Class** (or **lb.**) designation does **not** imply a pressure rating. For example, a 3/4" Class 150 PTFE Conical-Bore Ring Spacer x 1" thick x 1-1/4" major diameter **D1** x 3/4" minor diameter **D2** would be **SCRT-0.75-1-1.25-0.75**

Options

CLASS 300 (300 lb.) SPACERS: For Class 300 spacers, add to the BASE PART NUMBER the suffix **300**. For other classes, contact the factory. For example, a 2" Class 300 PTFE Conical-Bore Ring Spacer x 1-1/2" thick x 2-1/2" major diameter **D1** x 2" minor diameter **D2** would be **SCRT-2-1.5-2.5-2-300**



For dimensions, see the **SIZE TABLE** on page 20.

Product Specifications 7.1-2

Part Number Key				Option
Series	Material	Nominal Size	Thickness	Class
SCR	T = PTFE, K = PVDF, P = PPL, C = CPVC	0.5 - 24 Decimal Inches	Decimal Inches	300

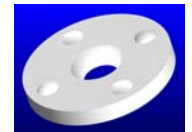
BASE PART NUMBERS

Nominal Size	PTFE	PVDF	PPL	CPVC
1/2"	SCRT-0.5-TH-D1-D2	SCRK-0.5-TH-D1-D2	SCRP-0.5-TH-D1-D2	SCRC-0.5-TH-D1-D2
3/4"	SCRT-0.75-TH-D1-D2	SCRK-0.75-TH-D1-D2	SCRP-0.75-TH-D1-D2	SCRC-0.75-TH-D1-D2
1"	SCRT-1-TH-D1-D2	SCRK-1-TH-D1-D2	SCRP-1-TH-D1-D2	SCRC-1-TH-D1-D2
1-1/2"	SCRT-1.5-TH-D1-D2	SCRK-1.5-TH-D1-D2	SCRP-1.5-TH-D1-D2	SCRC-1.5-TH-D1-D2
2"	SCRT-2-TH-D1-D2	SCRK-2-TH-D1-D2	SCRP-2-TH-D1-D2	SCRC-2-TH-D1-D2
2-1/2"	SCRT-2.5-TH-D1-D2	SCRK-2.5-TH-D1-D2	SCRP-2.5-TH-D1-D2	SCRC-2.5-TH-D1-D2
3"	SCRT-3-TH-D1-D2	SCRK-3-TH-D1-D2	SCRP-3-TH-D1-D2	SCRC-3-TH-D1-D2
4"	SCRT-4-TH-D1-D2	SCRK-4-TH-D1-D2	SCRP-4-TH-D1-D2	SCRC-4-TH-D1-D2
6"	SCRT-6-TH-D1-D2	SCRK-6-TH-D1-D2	SCRP-6-TH-D1-D2	SCRC-6-TH-D1-D2
8"	SCRT-8-TH-D1-D2	SCRK-8-TH-D1-D2	SCRP-8-TH-D1-D2	SCRC-8-TH-D1-D2
10"	SCRT-10-TH-D1-D2	SCRK-10-TH-D1-D2	SCRP-10-TH-D1-D2	SCRC-10-TH-D1-D2
12"	SCRT-12-TH-D1-D2	SCRK-12-TH-D1-D2	SCRP-12-TH-D1-D2	SCRC-12-TH-D1-D2
14"	SCRT-14-TH-D1-D2	SCRK-14-TH-D1-D2	SCRP-14-TH-D1-D2	SCRC-14-TH-D1-D2
16"	SCRT-16-TH-D1-D2	SCRK-16-TH-D1-D2	SCRP-16-TH-D1-D2	SCRC-16-TH-D1-D2
18"	SCRT-18-TH-D1-D2	SCRK-18-TH-D1-D2	SCRP-18-TH-D1-D2	SCRC-18-TH-D1-D2
20"	SCRT-20-TH-D1-D2	SCRK-20-TH-D1-D2	SCRP-20-TH-D1-D2	SCRC-20-TH-D1-D2
24"	SCRT-24-TH-D1-D2	SCRK-24-TH-D1-D2	SCRP-24-TH-D1-D2	SCRC-24-TH-D1-D2

For larger sizes, contact factory



SCF Series Conical-Bore Full-Face Flanges



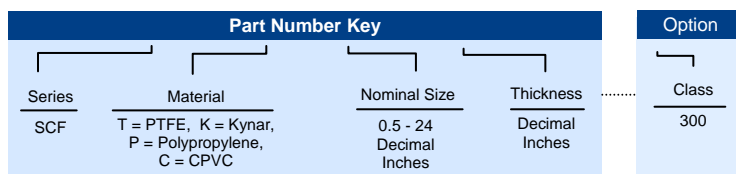
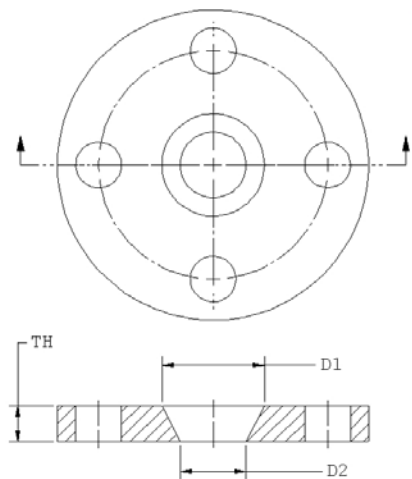
Standard Class 150 (150 lb.) Conical-Bore Full-Face Flanges

BASE PART NUMBER: As shown below, the BASE PART NUMBER defines the Series (three characters), the material (one character), the nominal size, the thickness **TH**, the major diameter **D1**, and the minor diameter **D2**. Use a decimal number to indicate the nominal size. For thicknesses up to 6", replace the **TH** with the decimal thickness. For thickness over 6", contact factory. Then replace **D1** and **D2** in the part number with the major and minor diameters in decimals. Note that the **Class** (or **lb.**) designation does not imply a pressure rating.

For example, a 3/4" Class 150 PTFE Conical-Bore Full-Face Flange x 1" thick x 1-1/4" major diameter **D1** x 3/4" minor diameter **D2** would be **SCFT-0.75-1-1.25-0.75**

Options

CLASS 300 (300 lb.) SPACERS: For Class 300 spacers, add to the BASE PART NUMBER the suffix **300**. For other classes, contact the factory. For example, a 2" Class 300 PTFE Conical-Bore Full-Face Flanges x 1-1/2" thick x 2-1/2" major diameter **D1** x 2" minor diameter **D2** would be **SCFT-2-1.5-2.5-2-300**



For dimensions, see the **SIZE TABLE** on page 20.

BASE PART NUMBERS

Nominal Size	PTFE	PVDF (Kynar®)	Polypropylene	CPVC
1/2"	SCFT-0.5-TH-D1-D2	SCFK-0.5-TH-D1-D2	SCFP-0.5-TH-D1-D2	SCFC-0.5-TH-D1-D2
3/4"	SCFT-0.75-TH-D1-D2	SCFK-0.75-TH-D1-D2	SCFP-0.75-TH-D1-D2	SCFC-0.75-TH-D1-D2
1"	SCFT-1-TH-D1-D2	SCFK-1-TH-D1-D2	SCFP-1-TH-D1-D2	SCFC-1-TH-D1-D2
1-1/2"	SCFT-1.5-TH-D1-D2	SCFK-1.5-TH-D1-D2	SCFP-1.5-TH-D1-D2	SCFC-1.5-TH-D1-D2
2"	SCFT-2-TH-D1-D2	SCFK-2-TH-D1-D2	SCFP-2-TH-D1-D2	SCFC-2-TH-D1-D2
2-1/2"	SCFT-2.5-TH-D1-D2	SCFK-2.5-TH-D1-D2	SCFP-2.5-TH-D1-D2	SCFC-2.5-TH-D1-D2
3"	SCFT-3-TH-D1-D2	SCFK-3-TH-D1-D2	SCFP-3-TH-D1-D2	SCFC-3-TH-D1-D2
4"	SCFT-4-TH-D1-D2	SCFK-4-TH-D1-D2	SCFP-4-TH-D1-D2	SCFC-4-TH-D1-D2
6"	SCFT-6-TH-D1-D2	SCFK-6-TH-D1-D2	SCFP-6-TH-D1-D2	SCFC-6-TH-D1-D2
8"	SCFT-8-TH-D1-D2	SCFK-8-TH-D1-D2	SCFP-8-TH-D1-D2	SCFC-8-TH-D1-D2
10"	SCFT-10-TH-D1-D2	SCFK-10-TH-D1-D2	SCFP-10-TH-D1-D2	SCFC-10-TH-D1-D2
12"	SCFT-12-TH-D1-D2	SCFK-12-TH-D1-D2	SCFP-12-TH-D1-D2	SCFC-12-TH-D1-D2
14"	SCFT-14-TH-D1-D2	SCFK-14-TH-D1-D2	SCFP-14-TH-D1-D2	SCFC-14-TH-D1-D2
16"	SCFT-16-TH-D1-D2	SCFK-16-TH-D1-D2	SCFP-16-TH-D1-D2	SCFC-16-TH-D1-D2
18"	SCFT-18-TH-D1-D2	SCFK-18-TH-D1-D2	SCFP-18-TH-D1-D2	SCFC-18-TH-D1-D2
20"	SCFT-20-TH-D1-D2	SCFK-20-TH-D1-D2	SCFP-20-TH-D1-D2	SCFC-20-TH-D1-D2
24"	SCFT-24-TH-D1-D2	SCFK-24-TH-D1-D2	SCFP-24-TH-D1-D2	SCFC-24-TH-D1-D2

For larger sizes, contact factory



STR Series Tapered Ring Spacers



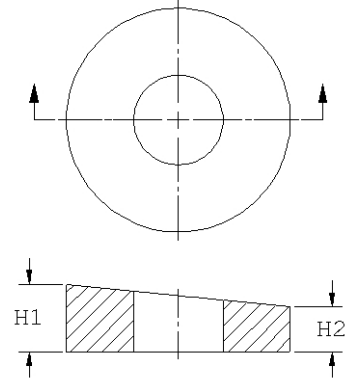
Standard Class 150 (150 lb.) Tapered Ring Spacers

BASE PART NUMBER: As shown below, the BASE PART NUMBER defines the Series (three characters), the material (one character), the nominal size, the maximum thickness **H1**, and the minimum thickness **H2**. Use a decimal number to indicate the nominal size. Then replace **H1** and **H2** in the part number with the maximum and minimum thicknesses in decimals. For maximum thicknesses over 6", contact factory. Note that the **Class** (or **lb.**) designation does not imply a pressure rating. For example, a 3/4" Class 150 PTFE Tapered Ring Spacer x 1" thick (**H1**) x 3/4" thick (**H2**) would be **STRT-0.75-1-0.75**

Options

CLASS 300 (300 lb.) SPACERS: For Class 300 spacers, add to the BASE PART NUMBER the suffix **300**. For other classes, contact the factory. For example, a 2" Class 300 PTFE Tapered Ring Spacer x 1-1/2" thick (**H1**) x 1" thick (**H2**) would be **STRT-2-1.5-1-300**

DOUBLE TAPER: For Double Tapered Spacers, contact the factory.



For dimensions, see the **SIZE TABLE** on page 20.

Product Specifications 7.1-2

Part Number Key				Option
Series	Material	Nominal Size	Thickness	Class
STR	T = PTFE, K = PVDF, P = PPL, C = CPVC	0.5 - 24 Decimal Inches	Decimal Inches	300

BASE PART NUMBERS

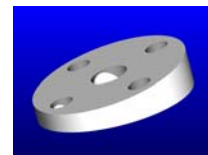
Nominal Size	PTFE	PVDF	PPL	CPVC
1/2"	STRT-0.5-H1-H2	STRK-0.5-H1-H2	STRP-0.5-H1-H2	STRC-0.5-H1-H2
3/4"	STRT-0.75-H1-H2	STRK-0.75-H1-H2	STRP-0.75-H1-H2	STRC-0.75-H1-H2
1"	STRT-1-H1-H2	STRK-1-H1-H2	STRP-1-H1-H2	STRC-1-H1-H2
1-1/2"	STRT-1.5-H1-H2	STRK-1.5-H1-H2	STRP-1.5-H1-H2	STRC-1.5-H1-H2
2"	STRT-2-H1-H2	STRK-2-H1-H2	STRP-2-H1-H2	STRC-2-H1-H2
2-1/2"	STRT-2.5-H1-H2	STRK-2.5-H1-H2	STRP-2.5-H1-H2	STRC-2.5-H1-H2
3"	STRT-3-H1-H2	STRK-3-H1-H2	STRP-3-H1-H2	STRC-3-H1-H2
4"	STRT-4-H1-H2	STRK-4-H1-H2	STRP-4-H1-H2	STRC-4-H1-H2
6"	STRT-6-H1-H2	STRK-6-H1-H2	STRP-6-H1-H2	STRC-6-H1-H2
8"	STRT-8-H1-H2	STRK-8-H1-H2	STRP-8-H1-H2	STRC-8-H1-H2
10"	STRT-10-H1-H2	STRK-10-H1-H2	STRP-10-H1-H2	STRC-10-H1-H2
12"	STRT-12-H1-H2	STRK-12-H1-H2	STRP-12-H1-H2	STRC-12-H1-H2
14"	STRT-14-H1-H2	STRK-14-H1-H2	STRP-14-H1-H2	STRC-14-H1-H2
16"	STRT-16-H1-H2	STRK-16-H1-H2	STRP-16-H1-H2	STRC-16-H1-H2
18"	STRT-18-H1-H2	STRK-18-H1-H2	STRP-18-H1-H2	STRC-18-H1-H2
20"	STRT-20-H1-H2	STRK-20-H1-H2	STRP-20-H1-H2	STRC-20-H1-H2
24"	STRT-24-H1-H2	STRK-24-H1-H2	STRP-24-H1-H2	STRC-24-H1-H2

For larger sizes, contact factory

Note: If you prefer to supply one thickness and the angle of taper, we will calculate the other thickness.



STF Series Tapered Full-Face Flanges



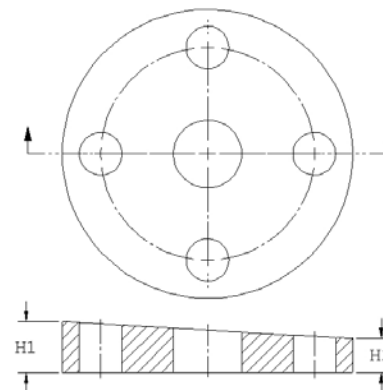
Standard Class 150 (150 lb.) Tapered Full-Face Flanges

BASE PART NUMBER: As shown below, the BASE PART NUMBER defines the Series (three characters), the material (one character), the nominal size, the maximum thickness **H1**, and the minimum thickness **H2**. Use a decimal number to indicate the nominal size. Then replace **H1** and **H2** in the part number with the maximum and minimum thicknesses in decimals. For maximum thicknesses over 6", contact factory. Note that the **Class** (or **lb.**) designation does **not** imply a pressure rating. For example, a 3/4" Class 150 PTFE Tapered Full-Face Flange x 1" thick (**H1**) x 3/4" thick (**H2**) would be **STFT-0.75-1-0.75**

Options

CLASS 300 (300 lb.) SPACERS: For Class 300 spacers, add to the BASE PART NUMBER the suffix **300**. For other classes, contact the factory. For example, a 2" Class 300 PTFE Tapered Full-Face Flange x 1-1/2" thick (**H1**) x 1" thick (**H2**) would be **STFT-2-1.5-1-300**

DOUBLE TAPER: For Double Tapered Flanges, contact the factory.



Part Number Key				Option
Series	Material	Nominal Size	Thickness	Class
STF	T = PTFE, K = PVDF P = PPL, C = CPVC	0.5 - 24 Decimal Inches	Decimal Inches	300

For dimensions, see the **SIZE TABLE** on page 20.

BASE PART NUMBERS

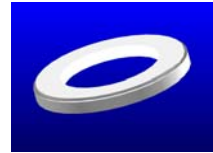
Nominal Size	PTFE	PVDF	PPL	CPVC
1/2"	STFT-0.5-H1-H2	STFK-0.5-H1-H2	STFP-0.5-H1-H2	STFC-0.5-H1-H2
3/4"	STFT-0.75-H1-H2	STFK-0.75-H1-H2	STFP-0.75-H1-H2	STFC-0.75-H1-H2
1"	STFT-1-H1-H2	STFK-1-H1-H2	STFP-1-H1-H2	STFC-1-H1-H2
1-1/2"	STFT-1.5-H1-H2	STFK-1.5-H1-H2	STFP-1.5-H1-H2	STFC-1.5-H1-H2
2"	STFT-2-H1-H2	STFK-2-H1-H2	STFP-2-H1-H2	STFC-2-H1-H2
2-1/2"	STFT-2.5-H1-H2	STFK-2.5-H1-H2	STFP-2.5-H1-H2	STFC-2.5-H1-H2
3"	STFT-3-H1-H2	STFK-3-H1-H2	STFP-3-H1-H2	STFC-3-H1-H2
4"	STFT-4-H1-H2	STFK-4-H1-H2	STFP-4-H1-H2	STFC-4-H1-H2
6"	STFT-6-H1-H2	STFK-6-H1-H2	STFP-6-H1-H2	STFC-6-H1-H2
8"	STFT-8-H1-H2	STFK-8-H1-H2	STFP-8-H1-H2	STFC-8-H1-H2
10"	STFT-10-H1-H2	STFK-10-H1-H2	STFP-10-H1-H2	STFC-10-H1-H2
12"	STFT-12-H1-H2	STFK-12-H1-H2	STFP-12-H1-H2	STFC-12-H1-H2
14"	STFT-14-H1-H2	STFK-14-H1-H2	STFP-14-H1-H2	STFC-14-H1-H2
16"	STFT-16-H1-H2	STFK-16-H1-H2	STFP-16-H1-H2	STFC-16-H1-H2
18"	STFT-18-H1-H2	STFK-18-H1-H2	STFP-18-H1-H2	STFC-18-H1-H2
20"	STFT-20-H1-H2	STFK-20-H1-H2	STFP-20-H1-H2	STFC-20-H1-H2
24"	STFT-24-H1-H2	STFK-24-H1-H2	STFP-24-H1-H2	STFC-24-H1-H2

For larger sizes, contact factory

Note: If you prefer to supply one thickness and the angle of taper, we will calculate the other thickness.



SAR Series Armored Ring Spacers



Standard Class 150 (150 lb.) Armored Ring Spacers

BASE PART NUMBER: As shown below, the BASE PART NUMBER defines the Series (three characters), the material (one character), the nominal size, and the thickness **TH**. Use a decimal number to indicate the nominal size. Then, for thicknesses up to 6", replace the **TH** with the decimal thickness. For thickness over 6", contact factory. Note that the **Class** (or **lb.**) designation does not imply a pressure rating.

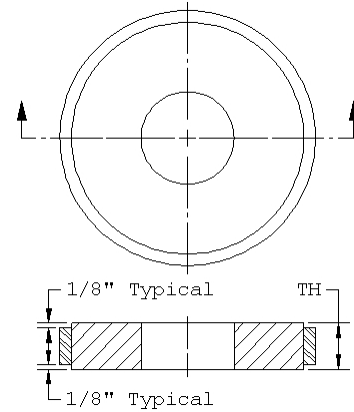
For example, a 3/4" Class 150 PTFE Armored Ring Spacer x 1" thick would be **SART-0.75-1**

Options

LOCATING TABS: For optional locating tabs, add to the Base Part Number the suffix **TAB**. For example, a 3/4" Class 150 PTFE Armored Ring Spacer x 1" thick would be **SART-0.75-1-TAB**

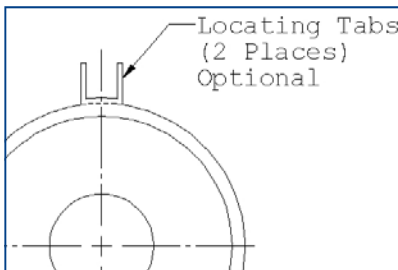
CLASS 300 (300 lb.) SPACERS: For Class 300 spacers, add to the BASE PART NUMBER the suffix **300**. For other classes, contact the factory. For example, a 2" Class 300 PTFE Armored Ring Spacer x 1-1/2" thick with **TAB** option would be **SART-2-1.5-TAB-300**

Steel jacket coated with dark blue, rust resistant enamel. Other colors on request.



For dimensions, see the **SIZE TABLE** on page 20.

Steel armor wall thickness is equal to or greater than the wall thickness of Schedule 80 Pipe.



For reducing, orifice, tapered or conical bore configuration, contact factory.

Product Specifications 7.1-2

Part Number Key				Option
Series	Material	Nominal Size	Thickness	Class
SAR	T = PTFE, K = PVDF, P = PPL, C = CPVC	0.5 - 24 Decimal Inches	Decimal Inches	300

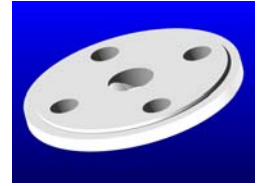
BASE PART NUMBERS

Nominal Size	PTFE	PVDF	PPL	CPVC
1/2"	SART-0.5-TH	SARK-0.5-TH	SARP-0.5-TH	SARC-0.5-TH
3/4"	SART-0.75-TH	SARK-0.75-TH	SARP-0.75-TH	SARC-0.75-TH
1"	SART-1-TH	SARK-1-TH	SARP-1-TH	SARC-1-TH
1-1/2"	SART-1.5-TH	SARK-1.5-TH	SARP-1.5-TH	SARC-1.5-TH
2"	SART-2-TH	SARK-2-TH	SARP-2-TH	SARC-2-TH
2-1/2"	SART-2.5-TH	SARK-2.5-TH	SARP-2.5-TH	SARC-2.5-TH
3"	SART-3-TH	SARK-3-TH	SARP-3-TH	SARC-3-TH
4"	SART-4-TH	SARK-4-TH	SARP-4-TH	SARC-4-TH
6"	SART-14-TH	SARK-14-TH	SARP-14-TH	SARC-14-TH
8"	SART-16-TH	SARK-16-TH	SARP-16-TH	SARC-16-TH
10"	SART-18-TH	SARK-18-TH	SARP-18-TH	SARC-18-TH
12"	SART-20-TH	SARK-20-TH	SARP-20-TH	SARC-20-TH
14"	SART-14-TH	SARK-14-TH	SARP-14-TH	SARC-14-TH
16"	SART-16-TH	SARK-16-TH	SARP-16-TH	SARC-16-TH
18"	SART-18-TH	SARK-18-TH	SARP-18-TH	SARC-18-TH
20"	SART-20-TH	SARK-20-TH	SARP-20-TH	SARC-20-TH
24"	SART-24-TH	SARK-24-TH	SARP-24-TH	SARC-24-TH

For larger sizes, contact factory



SAF Series Armored Full-Face Flanges



Standard Class 150 (150 lb.) Armored Ring Spacers

BASE PART NUMBER: As shown below, the BASE PART NUMBER defines the Series (three characters), the material (one character), the nominal size, and the thickness **TH**. Use a decimal number to indicate the nominal size. Then, for thicknesses up to 6", replace the **TH** with the decimal thickness. For thickness over 6", contact factory. Note that the **Class** (or **lb.**) designation does not imply a pressure rating.

For example, a 3/4" Class 150 PTFE Armored Full-Face Flange x 1" thick would be **SAFT-0.75-1**

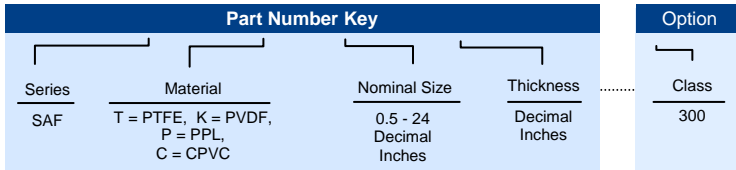
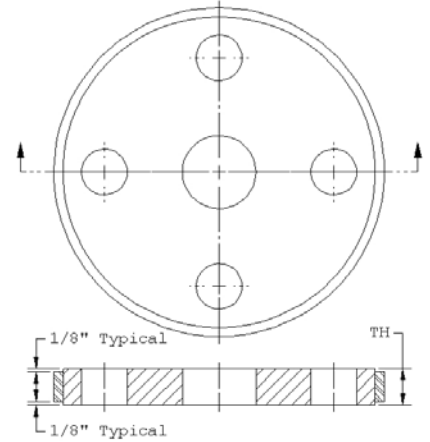
Options

LOCATING TABS: For optional locating tabs, add to the Base Part Number the suffix **TAB**.

For example, a 3/4" Class 150 PTFE Armored Full-Face Flange x 1" thick would be **SAFT-0.75-1-TAB**

CLASS 300 (300 lb.) SPACERS: For Class 300 spacers, add to the BASE PART NUMBER the suffix **300**. For other classes, contact the factory. For example, a 2" Class 300 PTFE Armored Full-Face Flange x 1-1/2" thick with **TAB** option would be **SAFT-2-1.5-TAB-300**

Steel jacket coated with dark blue, rust resistant enamel. Other colors on request.



BASE PART NUMBERS

Nominal Size	PTFE	PVDF	PPL	CPVC
1/2"	SAFT-0.5-TH	SAFK-0.5-TH	SAFP-0.5-TH	SAFC-0.5-TH
3/4"	SAFT-0.75-TH	SAFK-0.75-TH	SAFP-0.75-TH	SAFC-0.75-TH
1"	SAFT-1-TH	SAFK-1-TH	SAFP-1-TH	SAFC-1-TH
1-1/2"	SAFT-1.5-TH	SAFK-1.5-TH	SAFP-1.5-TH	SAFC-1.5-TH
2"	SAFT-2-TH	SAFK-2-TH	SAFP-2-TH	SAFC-2-TH
2-1/2"	SAFT-2.5-TH	SAFK-2.5-TH	SAFP-2.5-TH	SAFC-2.5-TH
3"	SAFT-3-TH	SAFK-3-TH	SAFP-3-TH	SAFC-3-TH
4"	SAFT-4-TH	SAFK-4-TH	SAFP-4-TH	SAFC-4-TH
6"	SAFT-6-TH	SAFK-6-TH	SAFP-6-TH	SAFC-6-TH
8"	SAFT-8-TH	SAFK-8-TH	SAFP-8-TH	SAFC-8-TH
10"	SAFT-10-TH	SAFK-10-TH	SAFP-10-TH	SAFC-10-TH
12"	SAFT-12-TH	SAFK-12-TH	SAFP-12-TH	SAFC-12-TH
14"	SAFT-14-TH	SAFK-14-TH	SAFP-14-TH	SAFC-14-TH
16"	SAFT-16-TH	SAFK-16-TH	SAFP-16-TH	SAFC-16-TH
18"	SAFT-18-TH	SAFK-18-TH	SAFP-18-TH	SAFC-18-TH
20"	SAFT-20-TH	SAFK-20-TH	SAFP-20-TH	SAFC-20-TH
24"	SAFT-24-TH	SAFK-24-TH	SAFP-24-TH	SAFC-24-TH

For larger sizes, contact factory

For dimensions, see the **SIZE TABLE** on page 20.

Steel armor wall thickness is equal to or greater than the wall thickness of Schedule 80 Pipe.

For reducing, orifice, tapered or conical bore configuration, contact factory.



FF Series Filler Flanges/Compensation Rings

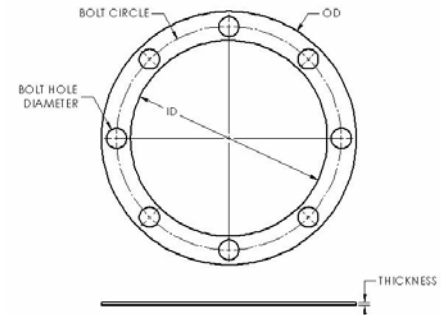


Standard Class 150 (150 lb.) PTFE Filler Flanges/Compensation Rings

Filler Flanges are used to connect flanges with raised faces or sealing surfaces-especially those of plastic lined steel pipe-to flat faced plastic flanges. Without filler flanges, when the bolts are tightened on such a joint, the plastic flange will, most likely, break. The filler flange fills the gap that lies between the OD of the raised surface and the OD of the flange, flattening the face in contact with the plastic flange.

BASE PART NUMBER: The BASE PART NUMBER defines the Series (two characters), the material (one character), the nominal size, and the thickness **TH**. Use a decimal number to indicate the nominal size and thickness. For example, a 3/4" PTFE Filler Flange x 1/8" thick would be **FFT-0.75-0.125**.

Note: Other materials available, contact Factory.



Part Number Key

Series	Material	Nominal Size	Thickness
FF	T = PTFE	0.5 - 24 Decimal Inches	Decimal Inches

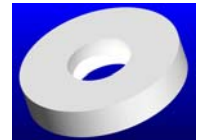
BASE PART NUMBERS

Nominal Size	PTFE Part No.	OD	ID	Bolt Circle	Bolt Hole Diameter	No. of Holes
1/2"	FFT-0.5-TH	3-1/2"	1-5/8"	2-3/8"	5/8"	4
3/4"	FFT-0.75-TH	3-7/8"	2"	2-3/4"	5/8"	4
1"	FFT-1-TH	4-1/4"	2-3/8"	3-1/8"	5/8"	4
1-1/4"	FFT-1.25-TH	4-5/8"	2-3/4"	3-1/2"	5/8"	4
1-1/2"	FFT-1.5-TH	5"	3-1/8"	3-7/8"	5/8"	4
2"	FFT-2-TH	6"	3-7/8"	4-3/4"	3/4"	4
2-1/2"	FFT-2.5-TH	7"	4-5/8"	5-1/2"	3/4"	4
3"	FFT-3-TH	7-1/2"	5-1/8"	6"	3/4"	4
4"	FFT-4-TH	9"	6-5/8"	7-1/2"	3/4"	8
5"	FFT-5-TH	10"	7-1/2"	8-1/2"	7/8"	8
6"	FFT-6-TH	11"	8-1/2"	9-1/2"	7/8"	8
8"	FFT-8-TH	13-1/2"	10-3/4"	11-3/4"	7/8"	8
10"	FFT-10-TH	16"	13-1/8"	14-1/4"	1"	12
12"	FFT-12-TH	19"	15-7/8"	17"	1"	12
14"	FFT-14-TH	21"	17-1/2"	18-3/4"	1-1/8"	12
16"	FFT-16-TH	23-1/2"	20"	21-1/4"	1-1/8"	16
18"	FFT-18-TH	25"	22-3/8"	23-3/4"	1-1/4"	16
20"	FFT-20-TH	27-1/2"	23-5/8"	25"	1-1/4"	20
24"	FFT-24-TH	32"	28"	29-1/2"	1-3/8"	20

For larger sizes, contact factory



SMR Series ISO Metric Ring Spacers

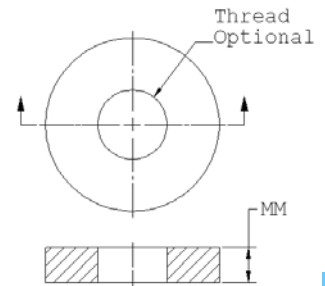


Standard PN Designated Ring Spacers

BASE PART NUMBER: As shown below, the BASE PART NUMBER defines the Series (three characters), the material (one character), the PN designation, the DN size, and the thickness **MM**. Replace the **PN** in the part number with the desired PN designation. For thicknesses up to 150 millimeters, replace the **MM** with the thickness in millimeters. For thicknesses over 150 mm, contact factory. Note that the PN / DN designation defines the spacer's dimensions only and does not imply a pressure rating. For example, a PN 10, DN 32 PTFE Ring Spacer x 50 mm thick would be **SMRT-10-32-50**

Notes

1. The OD of the spacers is tangent to the ID of the bolt holes of a similar size full-face flange.
2. Unless otherwise specified by the customer, the spacer's ID conforms to the ID of the comparable ISO type 01 or type 12 (slip-on) flange.
3. For other options and types of spacers, contact the factory.



For spacer dimensions, contact the factory.

Part Number Key				
Series	Material	PN Designation	DN Size	Thickness
SMR	T = PTFE, K = PVDF, P = PPL, C = CPVC	6 - 420	10 - 600	MM

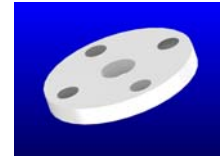
BASE PART NUMBERS

Nominal DN (mm)	PTFE	PVDF	PPL	CPVC
10	SMRT-PN-10-MM	SMRK-PN-10-MM	SMRP-PN-10-MM	SMRC-PN-10-MM
15	SMRT-PN-15-MM	SMRK-PN-15-MM	SMRP-PN-15-MM	SMRC-PN-15-MM
20	SMRT-PN-20-MM	SMRK-PN-20-MM	SMRP-PN-20-MM	SMRC-PN-20-MM
25	SMRT-PN-25-MM	SMRK-PN-25-MM	SMRP-PN-25-MM	SMRC-PN-25-MM
32	SMRT-PN-32-MM	SMRK-PN-32-MM	SMRP-PN-32-MM	SMRC-PN-32-MM
40	SMRT-PN-40-MM	SMRK-PN-40-MM	SMRP-PN-40-MM	SMRC-PN-40-MM
50	SMRT-PN-50-MM	SMRK-PN-50-MM	SMRP-PN-50-MM	SMRC-PN-50-MM
65	SMRT-PN-65-MM	SMRK-PN-65-MM	SMRP-PN-65-MM	SMRC-PN-65-MM
80	SMRT-PN-80-MM	SMRK-PN-80-MM	SMRP-PN-80-MM	SMRC-PN-80-MM
100	SMRT-PN-100-MM	SMRK-PN-100-MM	SMRP-PN-100-MM	SMRC-PN-100-MM
125	SMRT-PN-125-MM	SMRK-PN-125-MM	SMRP-PN-125-MM	SMRC-PN-125-MM
150	SMRT-PN-150-MM	SMRK-PN-150-MM	SMRP-PN-150-MM	SMRC-PN-150-MM
200	SMRT-PN-200-MM	SMRK-PN-200-MM	SMRP-PN-200-MM	SMRC-PN-200-MM
250	SMRT-PN-250-MM	SMRK-PN-250-MM	SMRP-PN-250-MM	SMRC-PN-250-MM
300	SMRT-PN-300-MM	SMRK-PN-300-MM	SMRP-PN-300-MM	SMRC-PN-300-MM
350	SMRT-PN-350-MM	SMRK-PN-350-MM	SMRP-PN-350-MM	SMRC-PN-350-MM
400	SMRT-PN-400-MM	SMRK-PN-400-MM	SMRP-PN-400-MM	SMRC-PN-400-MM
450	SMRT-PN-450-MM	SMRK-PN-450-MM	SMRP-PN-450-MM	SMRC-PN-450-MM
500	SMRT-PN-500-MM	SMRK-PN-500-MM	SMRP-PN-500-MM	SMRC-PN-500-MM
600	SMRT-PN-600-MM	SMRK-PN-600-MM	SMRP-PN-600-MM	SMRC-PN-600-MM

For larger sizes, contact factory



SMF Series ISO Metric Full-Face Flanges

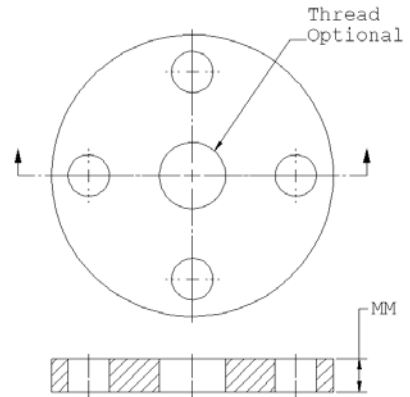


Standard PN Designated Flanges

BASE PART NUMBER: As shown below, the BASE PART NUMBER defines the Series (three characters), the material (one character), the PN designation, the DN size, and the thickness **MM**. Replace the **PN** in the part number with the desired PN designation. For thicknesses up to 150 millimeters, replace the **MM** with the thickness in millimeters. For thicknesses over 150 mm, contact factory. Note that the PN / DN designation defines the flange's dimensions only and does not imply a pressure rating. For example, a PN 10, DN 32 PTFE Flange x 50 mm thick would be **SMFT-10-32-50**

Notes

1. Unless otherwise specified by the customer, the flange's ID conforms to the ID of the comparable ISO type 01 or type 12 (slip-on) flange.
2. For other options and types of flanges, contact the factory.



For flange dimensions, contact the factory.

Part Number Key

Series	Material	PN Designation	DN Size	Thickness
SMF	T = PTFE, K = PVDF, P = PPL C = CPVC	6 - 420	10 - 600	MM

BASE PART NUMBERS

Nominal DN (mm)	PTFE	PVDF	PPL	CPVC
10	SMFT-PN-10-MM	SMFK-PN-10-MM	SMFP-PN-10-MM	SMFC-PN-10-MM
15	SMFT-PN-15-MM	SMFK-PN-15-MM	SMFP-PN-15-MM	SMFC-PN-15-MM
20	SMFT-PN-20-MM	SMFK-PN-20-MM	SMFP-PN-20-MM	SMFC-PN-20-MM
25	SMFT-PN-25-MM	SMFK-PN-25-MM	SMFP-PN-25-MM	SMFC-PN-25-MM
32	SMFT-PN-32-MM	SMFK-PN-32-MM	SMFP-PN-32-MM	SMFC-PN-32-MM
40	SMFT-PN-40-MM	SMFK-PN-40-MM	SMFP-PN-40-MM	SMFC-PN-40-MM
50	SMFT-PN-50-MM	SMFK-PN-50-MM	SMFP-PN-50-MM	SMFC-PN-50-MM
65	SMFT-PN-65-MM	SMFK-PN-65-MM	SMFP-PN-65-MM	SMFC-PN-65-MM
80	SMFT-PN-80-MM	SMFK-PN-80-MM	SMFP-PN-80-MM	SMFC-PN-80-MM
100	SMFT-PN-100-MM	SMFK-PN-100-MM	SMFP-PN-100-MM	SMFC-PN-100-MM
125	SMFT-PN-125-MM	SMFK-PN-125-MM	SMFP-PN-125-MM	SMFC-PN-125-MM
150	SMFT-PN-150-MM	SMFK-PN-150-MM	SMFP-PN-150-MM	SMFC-PN-150-MM
200	SMFT-PN-200-MM	SMFK-PN-200-MM	SMFP-PN-200-MM	SMFC-PN-200-MM
250	SMFT-PN-250-MM	SMFK-PN-250-MM	SMFP-PN-250-MM	SMFC-PN-250-MM
300	SMFT-PN-300-MM	SMFK-PN-300-MM	SMFP-PN-300-MM	SMFC-PN-300-MM
350	SMFT-PN-350-MM	SMFK-PN-350-MM	SMFP-PN-350-MM	SMFC-PN-350-MM
400	SMFT-PN-400-MM	SMFK-PN-400-MM	SMFP-PN-400-MM	SMFC-PN-400-MM
450	SMFT-PN-450-MM	SMFK-PN-450-MM	SMFP-PN-450-MM	SMFC-PN-450-MM
500	SMFT-PN-500-MM	SMFK-PN-500-MM	SMFP-PN-500-MM	SMFC-PN-500-MM
600	SMFT-PN-600-MM	SMFK-PN-600-MM	SMFP-PN-600-MM	SMFC-PN-600-MM

For larger sizes, contact factory



SLB Series Spectacle Line-Blinds

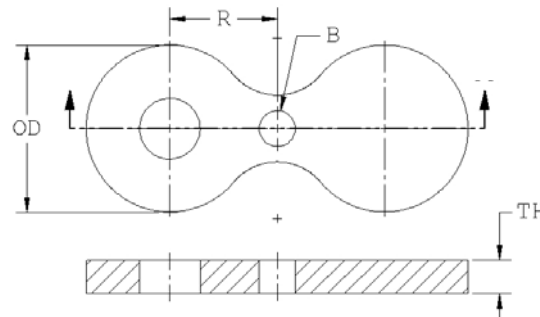


Standard Class 150 (150 lb.) Spectacle Line-Blinds

BASE PART NUMBER: As shown below, the BASE PART NUMBER defines the Series (three characters), the material (one character), the nominal size, and the thickness **TH**. Use a decimal number to indicate the nominal size. Then, for thicknesses up to 6", replace the **TH** with the decimal thickness. For thickness over 6", contact factory. Note that the **Class** (or **lb.**) designation does not imply a pressure rating. For example, a standard 3/4" Class 150 PTFE Spectacle Blind would be **SLBT-0.75-TH**

Options

CLASS 300 (300 lb.) SPACERS: For Class 300 spacers, add to the BASE PART NUMBER the suffix **300**. For other classes, contact the factory. For example, a 2" Class 300 PTFE Spectacle Line Blind x 1-1/2" thick would be **SLBT-2-1.5-300**



Part Number Key				Option
Series	Material	Nominal Size	Thickness	Class
SLB	T = PTFE, K = PVDF, P = PPL, C = CPVC	0.5 - 24 Decimal Inches	Decimal Inches	300

For dimensions, see the table below.

For PTFE Lined Steel Spectacle Line-Blinds, see separate bulletin.

BASE PART NUMBERS

Nominal Size	PTFE	PVDF	PPL	CPVC	Diameter (OD)	Diameter (B)	Radius (R)
1/2"	SLBT-0.5-TH	SLBK-0.5-TH	SLBP-0.5-TH	SLBC-0.5-TH	1-3/4"	5/8"	1-13/16"
3/4"	SLBT-0.75-TH	SLBK-0.75-TH	SLBP-0.75-TH	SLBC-0.75-TH	2-1/8"	5/8"	1-3/8"
1"	SLBT-1-TH	SLBK-1-TH	SLBP-1-TH	SLBC-1-TH	2-1/2"	5/8"	1-9/16"
1-1/2"	SLBT-1.5-TH	SLBK-1.5-TH	SLBP-1.5-TH	SLBC-1.5-TH	3-1/4"	5/8"	1-15/16"
2"	SLBT-2-TH	SLBK-2-TH	SLBP-2-TH	SLBC-2-TH	4"	3/4"	2-3/8"
2-1/2"	SLBT-2.5-TH	SLBK-2.5-TH	SLBP-2.5-TH	SLBC-2.5-TH	4-3/4"	3/4"	2-3/4"
3"	SLBT-3-TH	SLBK-3-TH	SLBP-3-TH	SLBC-3-TH	5-1/4"	3/4"	3"
4"	SLBT-4-TH	SLBK-4-TH	SLBP-4-TH	SLBC-4-TH	6-3/4"	3/4"	3-3/4"
6"	SLBT-6-TH	SLBK-6-TH	SLBP-6-TH	SLBC-6-TH	8-5/8"	7/8"	4-3/4"
8"	SLBT-8-TH	SLBK-8-TH	SLBP-8-TH	SLBC-8-TH	10-7/8"	7/8"	5-7/8"
10"	SLBT-10-TH	SLBK-10-TH	SLBP-10-TH	SLBC-10-TH	13-1/4"	1"	7-1/8"
12"	SLBT-12-TH	SLBK-12-TH	SLBP-12-TH	SLBC-12-TH	16"	1"	8-1/2"
14"	SLBT-14-TH	SLBK-14-TH	SLBP-14-TH	SLBC-14-TH	17"	1-1/8"	9-3/8"
16"	SLBT-16-TH	SLBK-16-TH	SLBP-16-TH	SLBC-16-TH	19"	1-1/8"	10-5/8"
18"	SLBT-18-TH	SLBK-18-TH	SLBP-18-TH	SLBC-18-TH	21"	1-1/8"	11-3/8"
20"	SLBT-20-TH	SLBK-20-TH	SLBP-20-TH	SLBC-20-TH	23"	1-1/4"	12-1/2"
24"	SLBT-24-TH	SLBK-24-TH	SLBP-24-TH	SLBC-24-TH	27"	1-3/8"	14-3/4"

For larger sizes, contact factory



Sizes of MICROMOLD

Class 150 and 300 Spacers and Flanges

ID			OD & Bolt Holes									
Class 150 & 300			Class 150					Class 300				
Pipe Size	Old Std.	New Std.	Ring Type OD	Full-Face OD	Bolt Holes			Ring Type OD	Full-Face OD	Bolt Holes		
					No.	Dia.	Bolt Circle			No.	Dia.	Bolt Circle
1/2"	1/2"	27/32"	1-7/8"	3-1/2"	4	5/8"	2-3/8"	2-1/8"	3-3/4"	4	5/8"	2-5/8"
3/4"	3/4"	1-1/16"	2-1/4"	3-7/8"	4	5/8"	2-3/4"	2-5/8"	4-5/8"	4	3/4"	3-1/4"
1"	1"	1-5/16"	2-1/2"	4-1/4"	4	5/8"	3-1/8"	2-7/8"	4-7/8"	4	3/4"	3-1/2"
1-1/4"	1-1/4"	1-21/32"	3"	4-5/8"	4	5/8"	3-1/2"	3-1/4"	5-1/4"	4	3/4"	3-7/8"
1-1/2"	1-1/2"	1-29/32"	3-1/4"	5"	4	5/8"	3-7/8"	3-3/4"	6-1/8"	4	7/8"	4-1/2"
2"	2"	2-3/8"	4"	6"	4	3/4"	4-3/4"	4-3/8"	6-1/2"	8	3/4"	5"
2-1/2"	2-1/2"	2-7/8"	4-7/8"	7"	4	3/4"	5-1/2"	5-1/8"	7-1/2"	8	7/8"	5-7/8"
3"	3"	3-1/2"	5-1/4"	7-1/2"	4	3/4"	6"	5-7/8"	8-1/4"	8	7/8"	6-5/8"
4"	4"	4-1/2"	6-1/2"	9"	8	3/4"	7-1/2"	7-1/8"	10"	8	7/8"	7-7/8"
5"	5"	5-9/16"	7-1/2"	10"	8	7/8"	8-1/2"	8-1/2"	11"	8	7/8"	9-1/4"
6"	6"	6-5/8"	8-1/2"	11"	8	7/8"	9-1/2"	9-7/8"	12-1/2"	12	7/8"	10-5/8"
8"	8"	8-5/8"	10-1/2"	13-1/2"	8	7/8"	11-3/4"	12-1/8"	15"	12	1"	13"
10"	10"	10-3/4"	13"	16"	12	1"	14-1/4"	14-1/4"	17-1/2"	16	1-1/8"	15-1/4"
12"	12"	12-3/4"	16"	19"	12	1"	17"	16-5/8"	20-1/2"	16	1-1/4"	17-3/4"
14"	14"	14"	17"	21"	12	1-1/8"	18-3/4"	19-1/8"	23"	20	1-1/4"	20-1/4"
16"	16"	16"	19"	23-1/2"	16	1-1/8"	21-1/4"	21-1/4"	25-1/2"	20	1-3/8"	22-1/2"
18"	18"	18"	21"	25"	16	1-1/4"	22-3/4"	23-1/2"	28"	24	1-3/8"	24-3/4"
20"	20"	20"	23"	27-1/2"	20	1-1/4"	25"	25-5/8"	30-1/2"	24	1-3/8"	27"
24"	24"	24"	27"	32"	20	1-3/8"	29-1/2"	30-3/8"	36"	24	1-5/8"	32"

Note: Unless otherwise specified, spacers and flanges are manufactured to Old Standard

