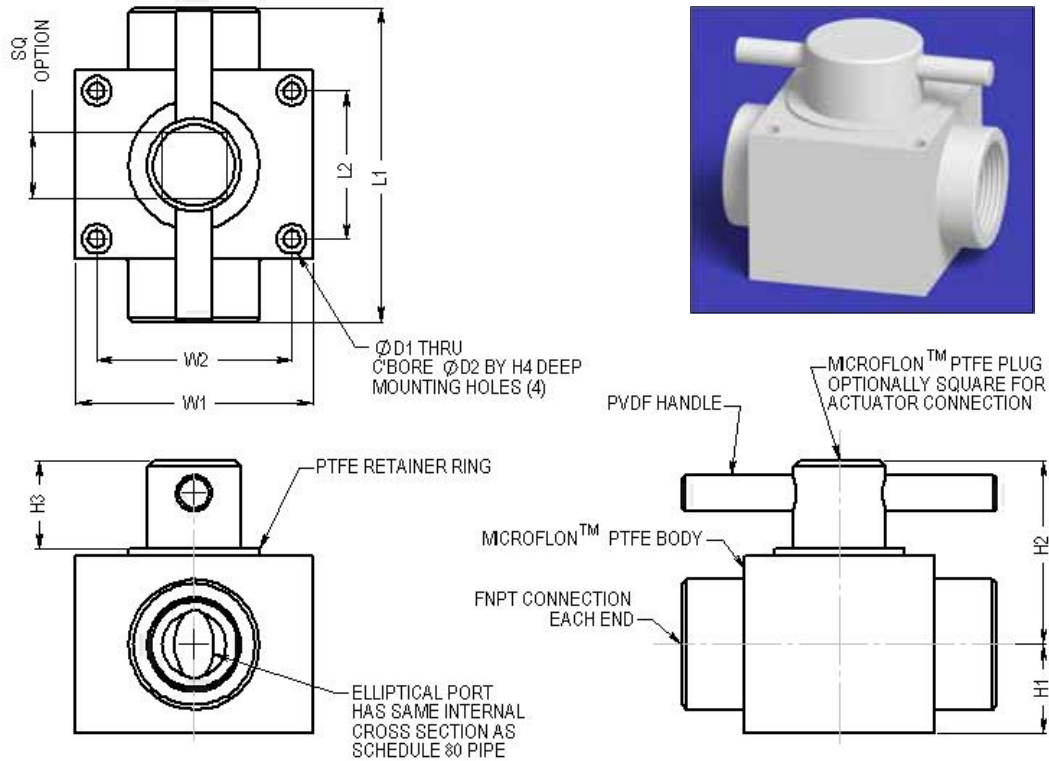




### FLUOR-O-VALVE™

## Virgin PTFE Full Port 2-Way NPT Plug Valve



| Nominal Size | Part No. | L1 (inches) | L2 (inches) | W1 (inches) | W2 (inches) | Ø D1 (inches) | Ø D2 (inches) | H1 (inches) | H2 (inches) | H3 (inches) | H4 (inches) | SQ Option |
|--------------|----------|-------------|-------------|-------------|-------------|---------------|---------------|-------------|-------------|-------------|-------------|-----------|
| 1/8"         | FV-PV01  | 2.18        | 0.72        | 1.50        | 1.10        | 0.12          | 0.28          | 0.63        | 1.32        | 0.63        | 0.18        | 0.36      |
| 1/4"         | FV-PV02  | 2.18        | 0.72        | 1.50        | 1.10        | 0.12          | 0.28          | 0.63        | 1.32        | 0.63        | 0.19        | 0.36      |
| 3/8"         | FV-PV03  | 3.32        | 1.56        | 2.50        | 2.06        | 0.17          | 0.31          | 0.94        | 1.94        | 0.93        | 0.25        | 0.67      |
| 1/2"         | FV-PV04  | 3.32        | 1.56        | 2.50        | 2.08        | 0.17          | 0.31          | 0.94        | 1.94        | 0.93        | 0.25        | 0.69      |
| 3/4"         | FV-PV06  | 3.36        | 1.56        | 2.50        | 2.06        | 0.20          | 0.31          | 1.13        | 2.40        | 1.20        | 0.25        | 0.85      |
| 1"           | FV-PV08  | 4.35        | 2.13        | 3.50        | 3.00        | 1.27          | 0.38          | 1.38        | 2.92        | 1.48        | 0.25        | 1.06      |

- Valves are available in 1/8" through 1"
- Standard connections are Female NPT; custom connections including Flanged, Tri-Clamp, True-Union, Hose-Barb, Flare or Compression Tube Fittings, Male NPT, and PFA butt-weld available on special order
- Valves are full-port with the through orifice equal to the area of schedule 80 pipe
- Quarter Turn Actuation
- Pressure ratings are equal to Micromold's FLUOR-O-FLO™

PTFE piping system. Pressure rating chart available on request.

- Service temperatures – ambient to 300°F
- Wetted parts are made from Micromold's MICROFLON™ virgin PTFE providing superior resistance to creep
- Suitable for vacuum service
- Valves are individually tested in accordance with MSS-SP-82-1992-BW
- See reverse side for torque ratings.

Call today for our FLUOR-O-VALVE™ PTFE Valve Sales Bulletin



Product Specifications 3.1-2

| Quarter Turn Valves<br>Comparative Break Torques<br>(inch-pounds) |                           |   |                                   |
|---|---------------------------|---|-----------------------------------|
|   | <u>MICROMOLD</u>          | <u>XOMOX</u>                            | <u>ITT</u>                        |
| Nominal Size<br>(inches)  | Solid PTFE Plug<br>Valves | PTFE Sleeved Lined<br>Steel Plug Valves | Tefzel Lined Steel<br>Ball Valves |
| 1/4"  | 6                         | NA                                      | NA                                |
| 1/2"  | 45                        | 140                                     | NA                                |
| 3/4"  | 50                        | 140                                     | 120                               |
| 1"  | 75                        | 400                                     | 120                               |
| 1-1/2"  | 85                        | 800                                     | 130                               |
| 2"  | 120                       | 1100                                    | 280                               |

