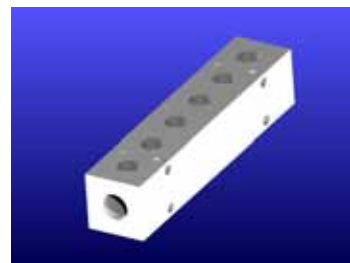
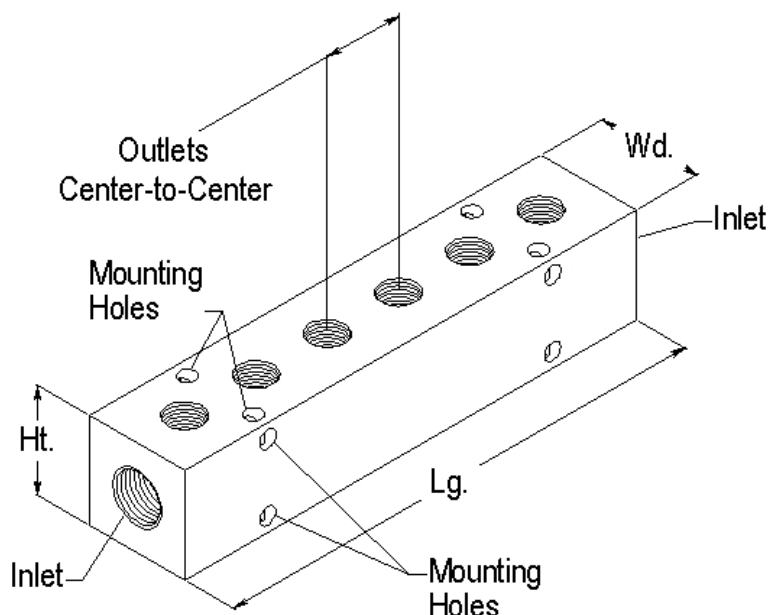


FLUOR-O-FLO™ PTFE Manifolds



Call today for our
FLUOR-O-FLO™ PTFE
 Manifolds Sales Bulletin

Product Specifications 2.3-2

Nominal Size			Overall Size				
No. of Outlets	Inlet NPT Pipe Size	Outlet NPT Pipe Size	Part No.	Lg. x Wd. x Ht.	Outlets, Center to Center	Mounting Hole Size	Weight (lb.)
2	1/4"	1/8"	F-MA020201	1-3/4" x 1" x 1"	3/4"	0.17"	0.1
2	3/8"	1/4"	F-MA020302	2-3/8" x 1-1/4" x 1-1/4"	7/8"	0.20"	0.3
2	1/2"	3/8"	F-MA020403	2-3/4" x 1-1/2" x 1-1/2"	1"	0.20"	0.4
4	1/4"	1/8"	F-MA040201	3-1/4" x 1" x 1"	3/4"	0.17"	0.2
4	3/8"	1/4"	F-MA040302	4-1/8" x 1-1/4" x 1-1/4"	7/8"	0.20"	0.5
4	1/2"	3/8"	F-MA040403	4-3/4" x 1-1/2" x 1-1/2"	1"	0.20"	0.7
6	1/4"	1/8"	F-MA060201	4-3/4" x 1" x 1"	3/4"	0.17"	0.3
6	3/8"	1/4"	F-MA060302	5-7/8" x 1-1/4" x 1-1/4"	7/8"	0.20"	0.6
6	1/2"	3/8"	F-MA060403	6-3/4" x 1-1/2" x 1-1/2"	1"	0.20"	1.0
8	1/4"	1/8"	F-MA080201	6-1/4" x 1" x 1"	3/4"	0.17"	0.4
8	3/8"	1/4"	F-MA080302	7-5/8" x 1-1/4" x 1-1/4"	7/8"	0.20"	0.8
8	1/2"	3/8"	F-MA080403	8-3/4" x 1-1/2" x 1-1/2"	1"	0.20"	1.4
10	1/4"	1/8"	F-MA100201	7-3/4" x 1" x 1"	3/4"	0.17"	0.6
10	3/8"	1/4"	F-MA100302	9-3/8" x 1-1/4" x 1-1/4"	7/8"	0.20"	1.0
10	1/2"	3/8"	F-MA100403	10-3/4" x 1-1/2" x 1-1/2"	1"	0.20"	1.7